



Engine	Yuchai YC6J140Z-T20
Rated Power	103 kW (138 hp / 140 ps) @ 2,200 rpm
Operating Weight	10,800 kg
Standard Bucket Size	2.0 m ³
Standard Breakout Force	98 kN
Standard Dump Clearance	2,918 mm

838T WHEEL LOADER

ENGINE

Emission Regulation	Tier 2 / Stage II
Manufacturer	Yuchai
Model	YC6J140Z-T20
Rated Power	103 kW (138 hp / 140 ps) @ 2,200 rpm
Peak Torque	640 N·m @ 1,300-1,500 rpm
Displacement	6.5 L
Number of Cylinder	6
Aspiration	Turbocharged

TRANSMISSION

Transmission Type	Planetary, power shift
Torque Converter	Double stage, four elements
Maximum Travel Speed, fwd	39 km/h
Maximum Travel Speed, rev	17.8 km/h
Number of Speed, fwd	2
Number of Speed, Rev	1

AXLES

Differential Front Type	Conventional
Differential Rear Type	Conventional
Axle Oscillation	±10°

STEERING

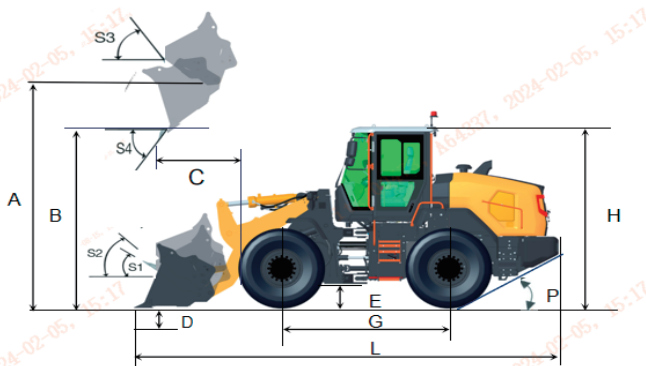
Steering Configuration	Load sensing hydraulic steering
Steering Relief Pressure	17.2 MPa

BRAKES

Service Brake Type	Caliper disc brake
Service Brake Actuation	Air over hydraulic
Parking Brake Type	Caliper disc brake
Parking Brake Actuation	Mechanical

HYDRAULIC SYSTEM

Main Pump Type	Gear
Main Relief Pressure	24 MPa
Raise	5.1 s
Dump Time	1.6 s
Float Down Time	3.0 s
Fastest Total Cycle Time	9.7 s



LOADER ARM PERFORMANCE WITH STANDARD BUCKET 2.0 m³

Tipping Load - Straight (ISO 14397-1:2007)	8,200 kg
Tipping Load - Full Turn (ISO 14397-1:2007)	7,100 kg
Bucket Breakout Force	98 kN
A Maximum Hinge Pin Height	3,801 mm
B Dump Clearance at Full Height Discharge	2,918 mm
C Dump Reach at Full Height Discharge	1,109 mm
D Maximum Digging Depth, Bucket Level	63 mm
S ₁ Rollback at Ground Level	42°
S ₂ Bucket Rollback at Carry	48°
S ₃ Bucket Rollback at Maximum Height	55°
S ₄ Maximum Dump Angle at Full Height	45°

BUCKET PERFORMANCE

Reference Bucket	1.5-3.0 m³
------------------	------------

DIMENSIONS

E Ground Clearance	344 mm
G Wheelbase	2,930 mm
H Cab Height	3,270 mm
J Wheel Tread	1,850 mm
K Width over Tires	2,295 mm
L Length with Bucket Down	7,262 mm
M Turn Angle, Either Side	40°
P Rear Angle of Departure	28°
R ₁ Turning Radius, Bucket Carry	5,660 mm
R ₂ Turning Radius, Outside of Tire	4,916 mm
W Width over Bucket	5,113 mm

TIRES

Tire Size	17.5-25PR12
-----------	-------------

OPERATING WEIGHTS

Operating Weight	10,800 kg
------------------	-----------

SERVICE CAPACITY

Fuel Tank	190 L
Engine Oil	17 L
Cooling System	35 L
Hydraulic System	90 L
Transmission and Torque Converter	42 L
Axles, Front/Rear	22 L / 22 L

